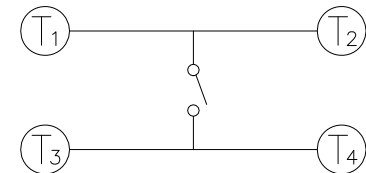
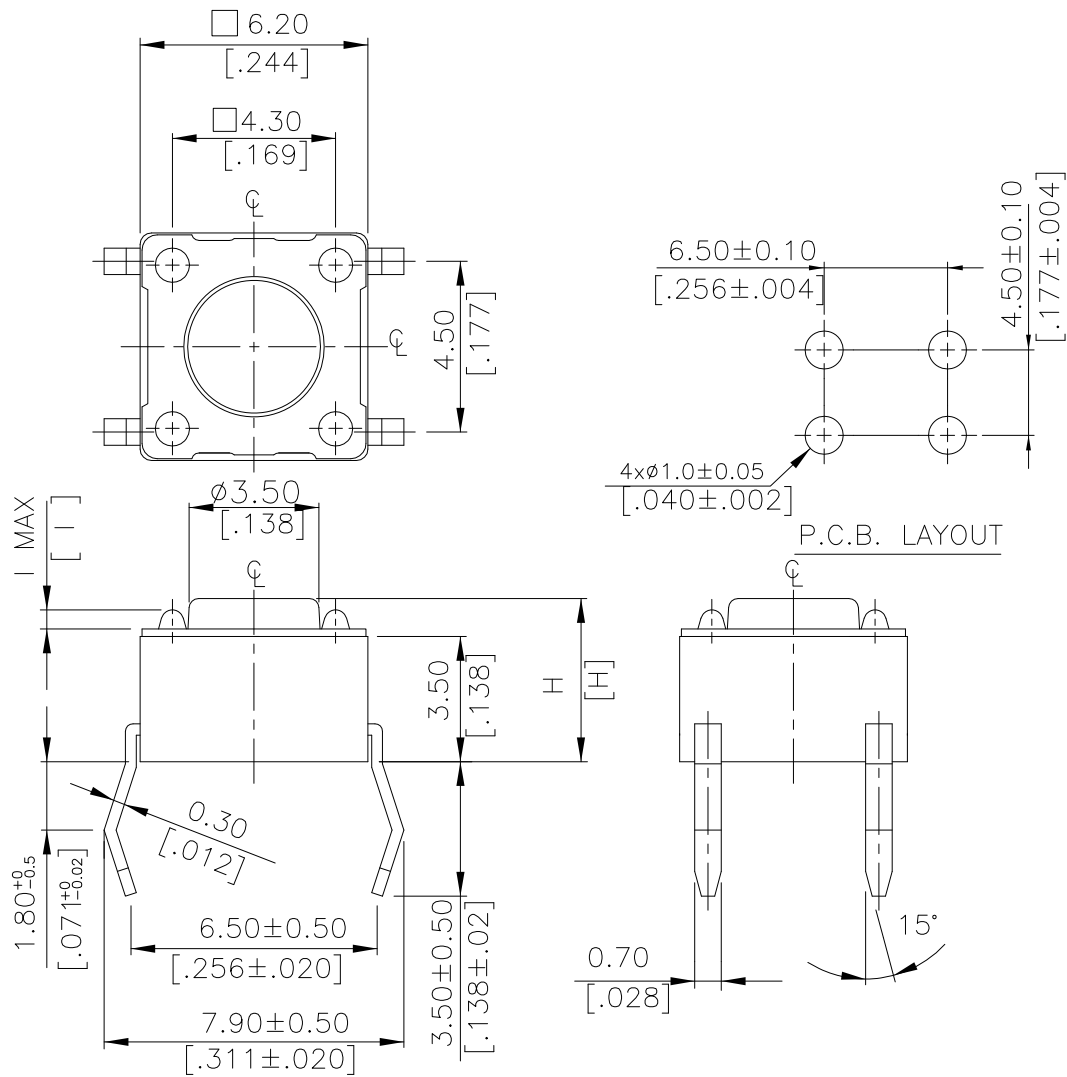


DTS-6(2) SERIES



DIMENSIONS

DTS-61~66 □



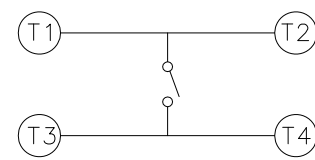
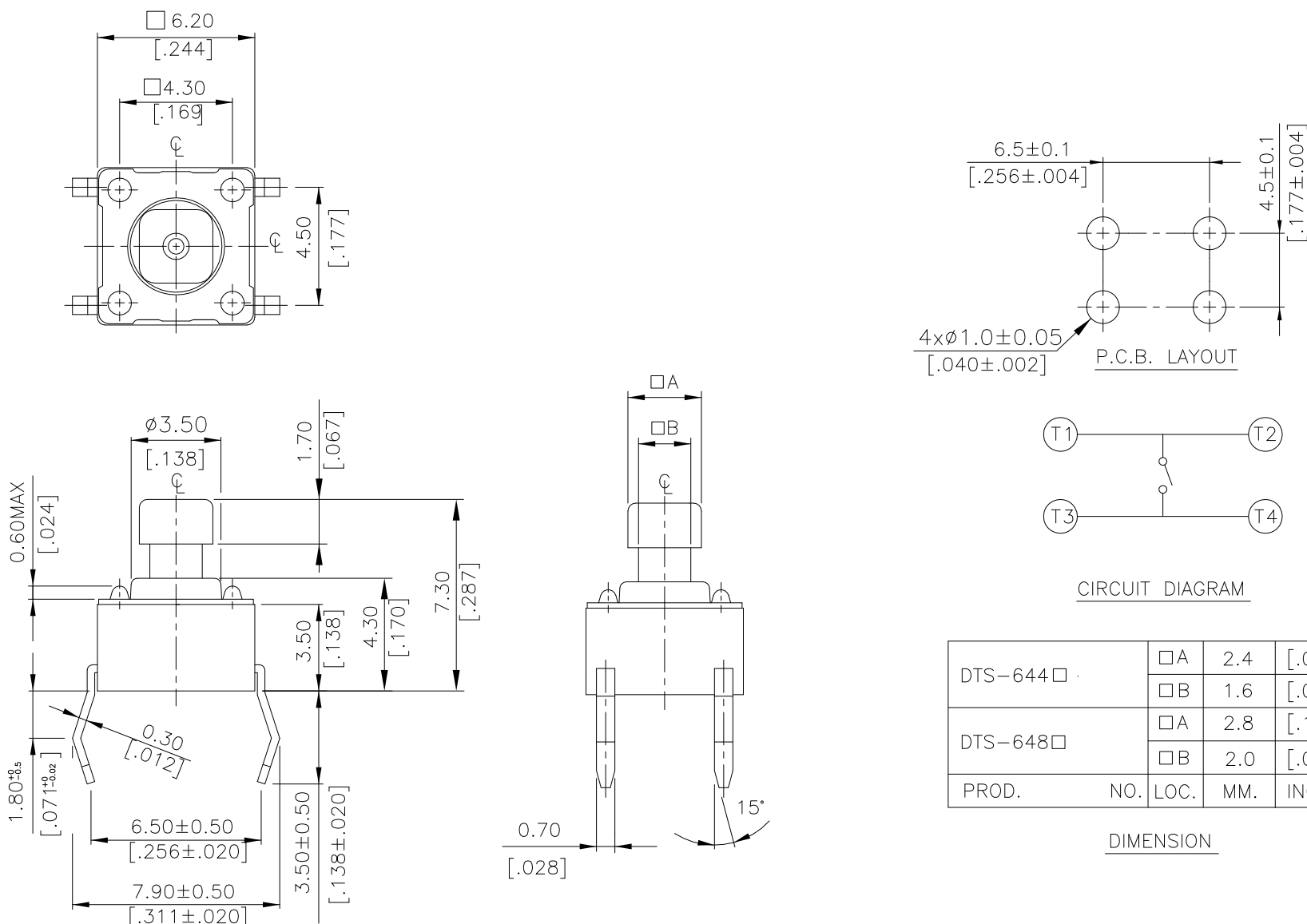
CIRCUIT DIAGRAM

DTS-62~66 □	0.6 MAX	.0236 MAX
DTS-61 □	0.5 MAX	.0197 MAX
PROD. NO.	I	INCHES.

DTS-66 □	13.0 [.512]
DTS-65 □	9.5 [.374]
DTS-63 □	7.0 [.275]
DTS-62 □	5.0 [.197]
DTS-61 □	4.3 [.169]
PROD. NO.	H

General Tolerance : ±0.2mm

DTS-644、648 □



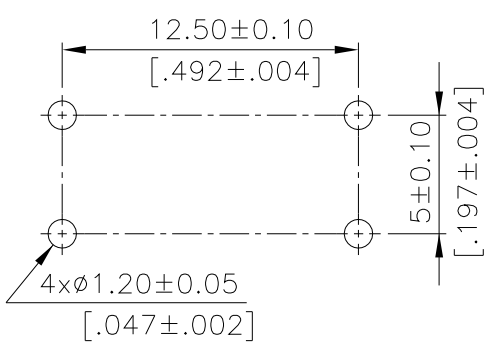
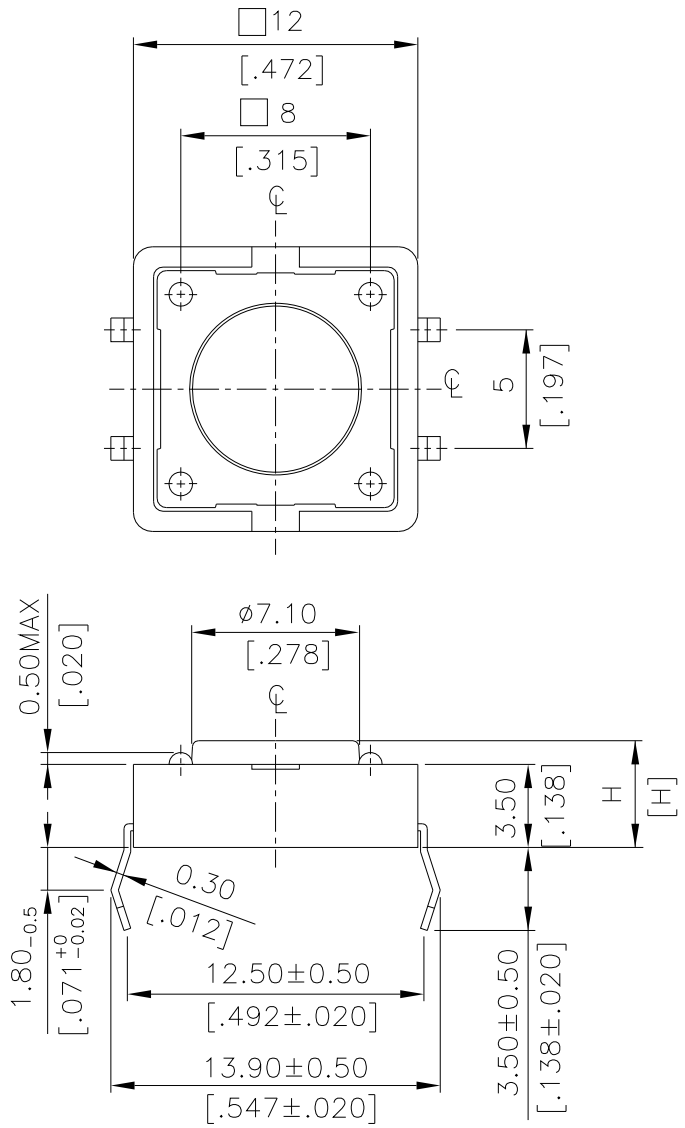
CIRCUIT DIAGRAM

DTS-644 □	□ A	2.4	[.095]
	□ B	1.6	[.063]
DTS-648 □	□ A	2.8	[.110]
	□ B	2.0	[.079]
PROD. NO.	LOC.	MM.	INCH.

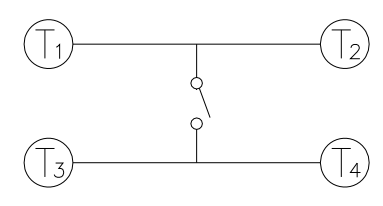
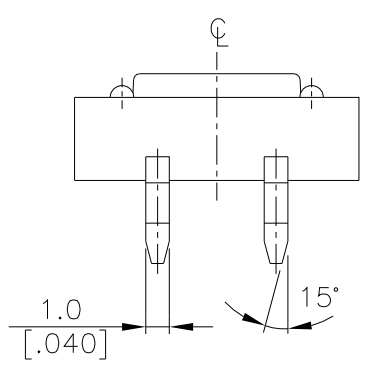
DIMENSION

General Tolerance : ±0.2mm

DTS-21、25



P.C.B. LAYOUT

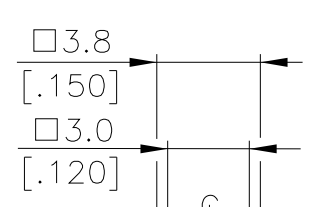
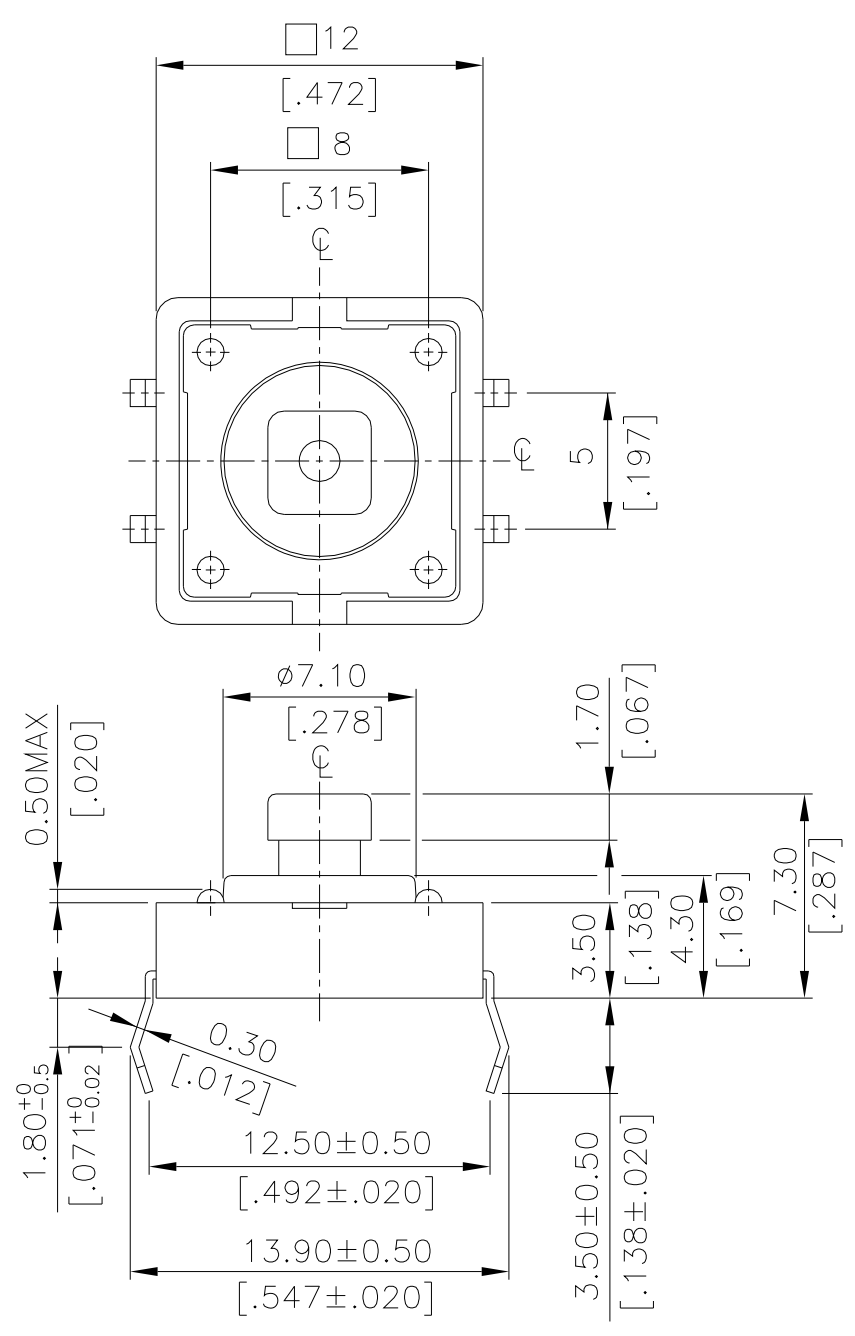


CIRCUIT DIAGRAM

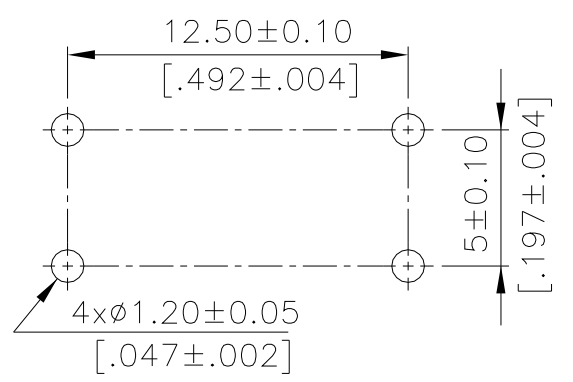
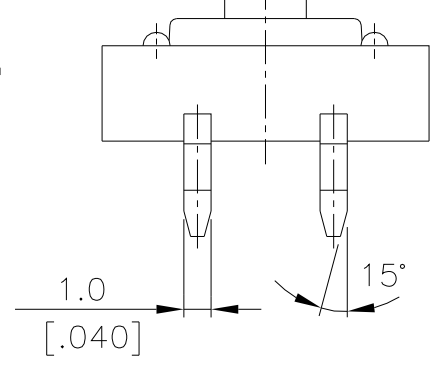
DTS-25	8.5 [.335]
DTS-21	4.3 [.169]
PROD. NO.	H

General Tolerance : $\pm 0.2\text{mm}$

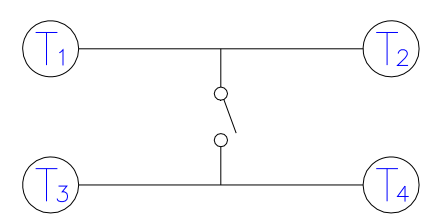
DTS-24



P.C.B. LAYOUT



P.C.B. LAYOUT



CIRCUIT DIAGRAM

General Tolerance : $\pm 0.2\text{mm}$

HOW TO ORDER

D T S □ - □ □ □ - □ - □ - □

Package style:
 □ = Bulk pack
 ▲ B = Tube
 (▲ Except DTS-61, 62, 63, 644, 648, 65, 66)

Soldering:
 V = RoHS & Lead Free Solderable
 Q = Halogen Free

□ = Phosphor bronze Dome
 (*S = Dome Stainless steel)
 (*12x12 Y Unavailable)

Color of stem for operating force:
 ▲ K = Black , 100gf-----only for 6x6
 K = Black , 130gf-----only for 12x12
 N = Brown , 160gf
 R = Red , 260gf
 S = Salmon , 320gf
 ▲ Y = Yellow , 520gf
 (▲ 12x12 Y Unavailable)

Dimension H :

◎ 6 X 6 mm	◎ 12 x 12 mm
1 = 4.3 mm	1 = 4.3 mm
2 = 5.0 mm	4 = 7.3 mm (SQ.) x 3.8 mm
3 = 7.0 mm	5 = 8.5 mm
44 = 7.3 mm(SQ.)x2.4 mm	
48 = 7.3 mm(SQ.)x2.8 mm	
5 = 9.5 mm	
6 = 13 mm	

Prod. Size :
 6 = 6x6 mm
 2 = 12x12 mm

□ = None Post
 ▲ = With Post
 < ▲ For 12x12 only >

Tactile Switch

SPECIFICATION

△MECHANICAL

Operation Force:520±130gf Yellow(Y)
320±80gf Salmon(S)
260±50gf Red(R)
160±50gf Brown(N)
130±50gf Black(K)—(only for 12x12)
100±50gf Black(K)---(only for 6x6)
Stop Strength: Max 3kgf vertical static load continuously
for 15 seconds

Stroke : (12x12) 0.35±0.1mm
(6x6) 0.25+0.2/-0.1mm

Operation Temperature Range : -25°C to +70°C

Storage Temperature Range : -30°C to +80°C

△ELECTRICAL (12X12) *Phosphor bronze Dome

Electrical Life: 100,000 cycles for 520gf, 320gf, 260gf
200,000 cycles for 160gf

△ELECTRICAL (6X6) *Phosphor bronze Dome

Electrical Life : 300,000 cycles for 320gf, 520gf
500,000 cycles for 260gf
1,000,000 cycles for 70gf, 100gf, 160gf

MATERIAL

△COVER : Stainless steel

△CONTACT DISC : Phosphor bronze with silver cladding
(Standard)
Stainless Steel(V-Option)

△TERMINAL : Brass with silver plated

△BASE : UL94V-0 Nylon High-Temp. Thermoplastic

△STEM : UL94V-0 Nylon High-Temp. Thermoplastic

Color : Black(100gf) , Brown(160gf) , Red(260gf)
Salmon(320gf) , Yellow(520gf)

△ELECTRICAL (12X12) * Stainless Steel Dome

Electrical Life: 300,000 cycles for 520gf, 320gf
500,000 cycles for 260gf
1,000,000 cycles for 160gf

△ELECTRICAL (6X6)*Stainless Steel Dome

Electrical Life: 3,000,000 cycles for 320gf, 520gf
500,000 cycles for 260gf
1,000,000 cycles for 70gf, 100gf, 160gf

SOLDERING PROCESS

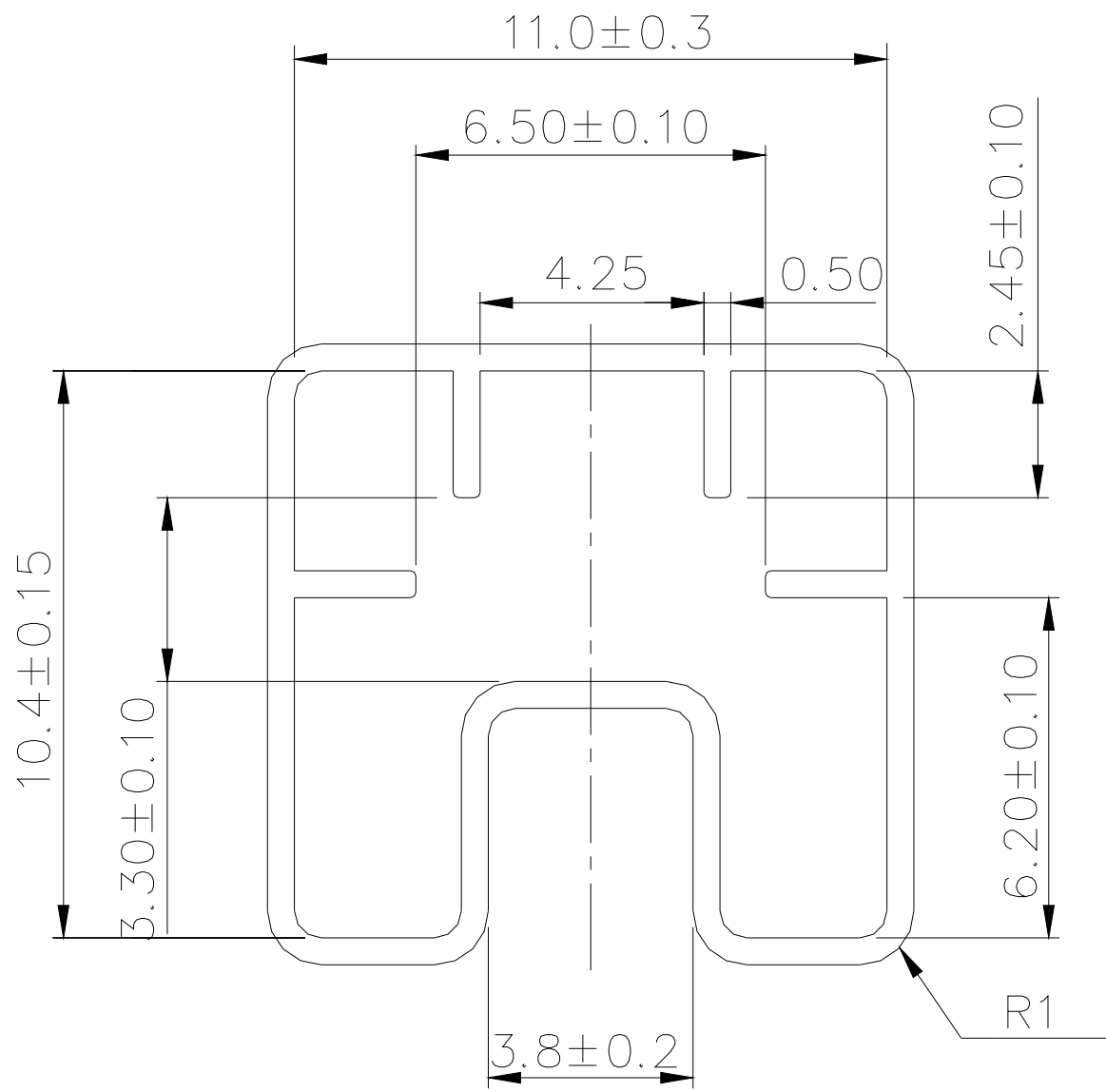
△WAVE SOLDERING: Recommended solder temperature at 500°F(260°C)max. 5 seconds subject to PBC 1.6mm thickness (For through hole type)

△Hand soldering : Use a soldering iron of 30 watts , controlled at 350°C approximately max 5 seconds while applying solder.

PACKING

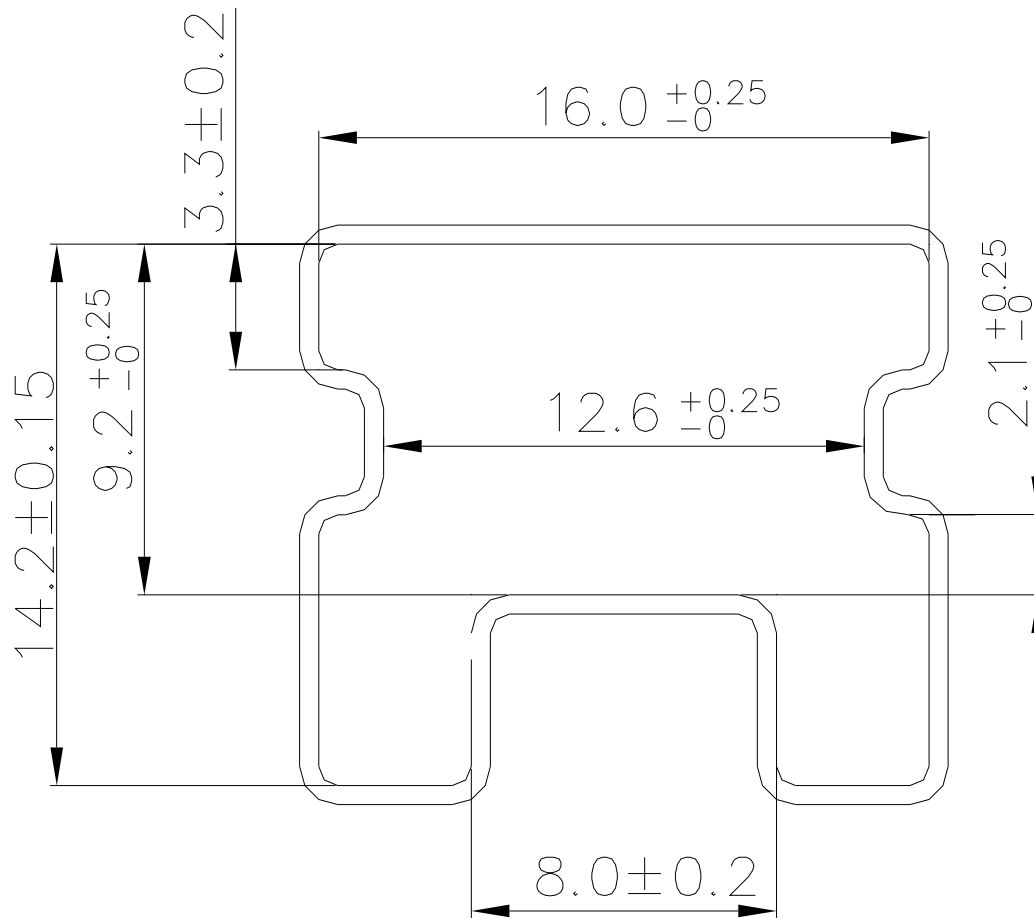
Part Number	Number Per Bag	Number Per Tube
DTS-6□□□	1000	-
DTS-61	-	77
DTS-62	-	77
DTS-2	500	-
DTS-2□□	-	39

DTS-61.62 TUBE



General Tolerance : ± 0.2 mm

DTS-2 □ □ TUBE



General Tolerance : ± 0.2 mm