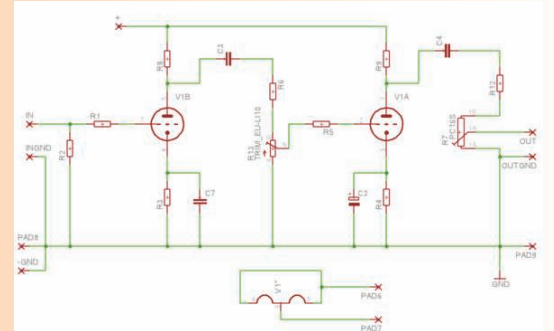


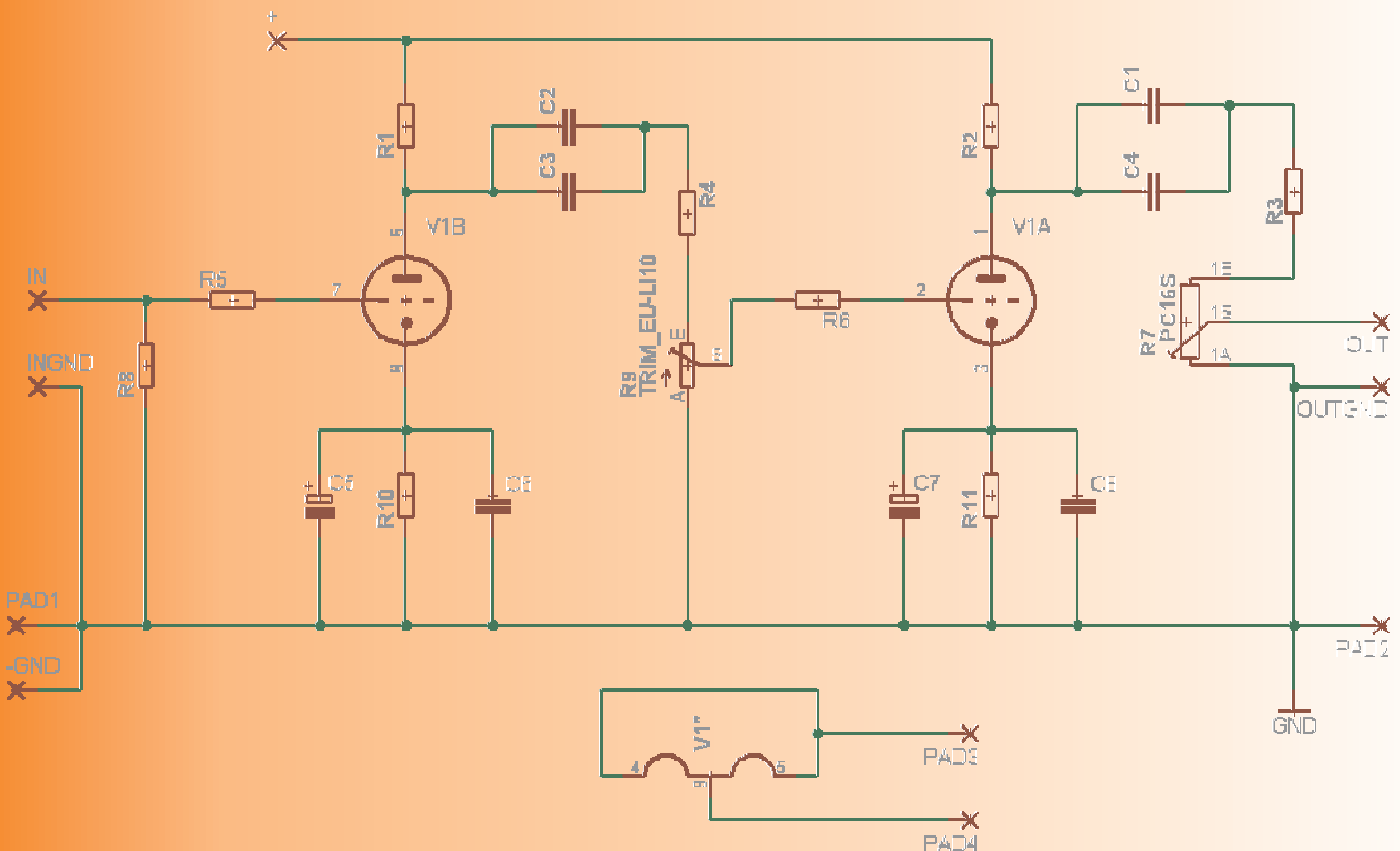
**PRE-MN** Atarado board is prototyping board module for 9pin preamp tube like 12AX7 (ECC83) or similar double triode.

Suitable to build two preamp stage with pot on output and trimming pot inbetween for fast gain adjustment, which can easily be replaced with fixed resistors voltage dividing.

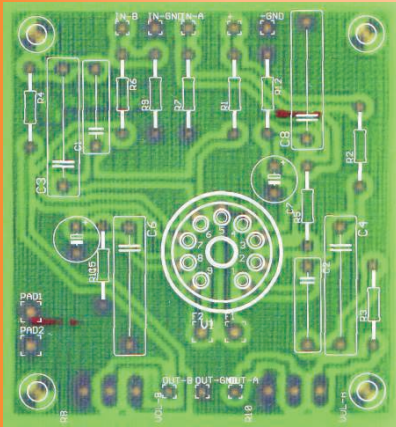
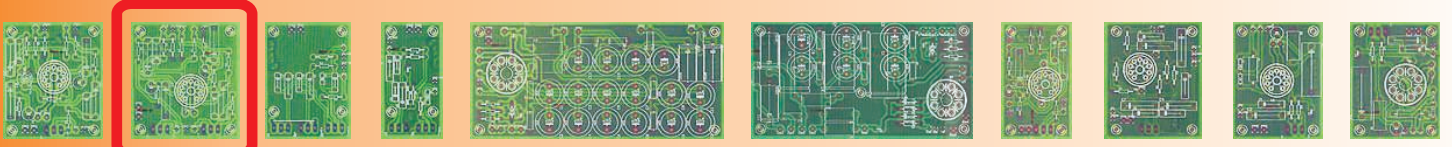


**TWO STAGE PREAMP AS SAMPLE**

## PRE-MN BOARD ELEMENTARY SCHEMATIC

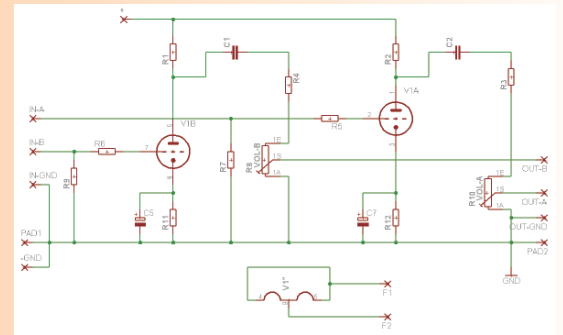


**DANGER! TUBE DEVICES RUN ON HIGH VOLTAGES WHICH CAN BE FATAL! ONLY FOR QUALIFIED PERSONS!**



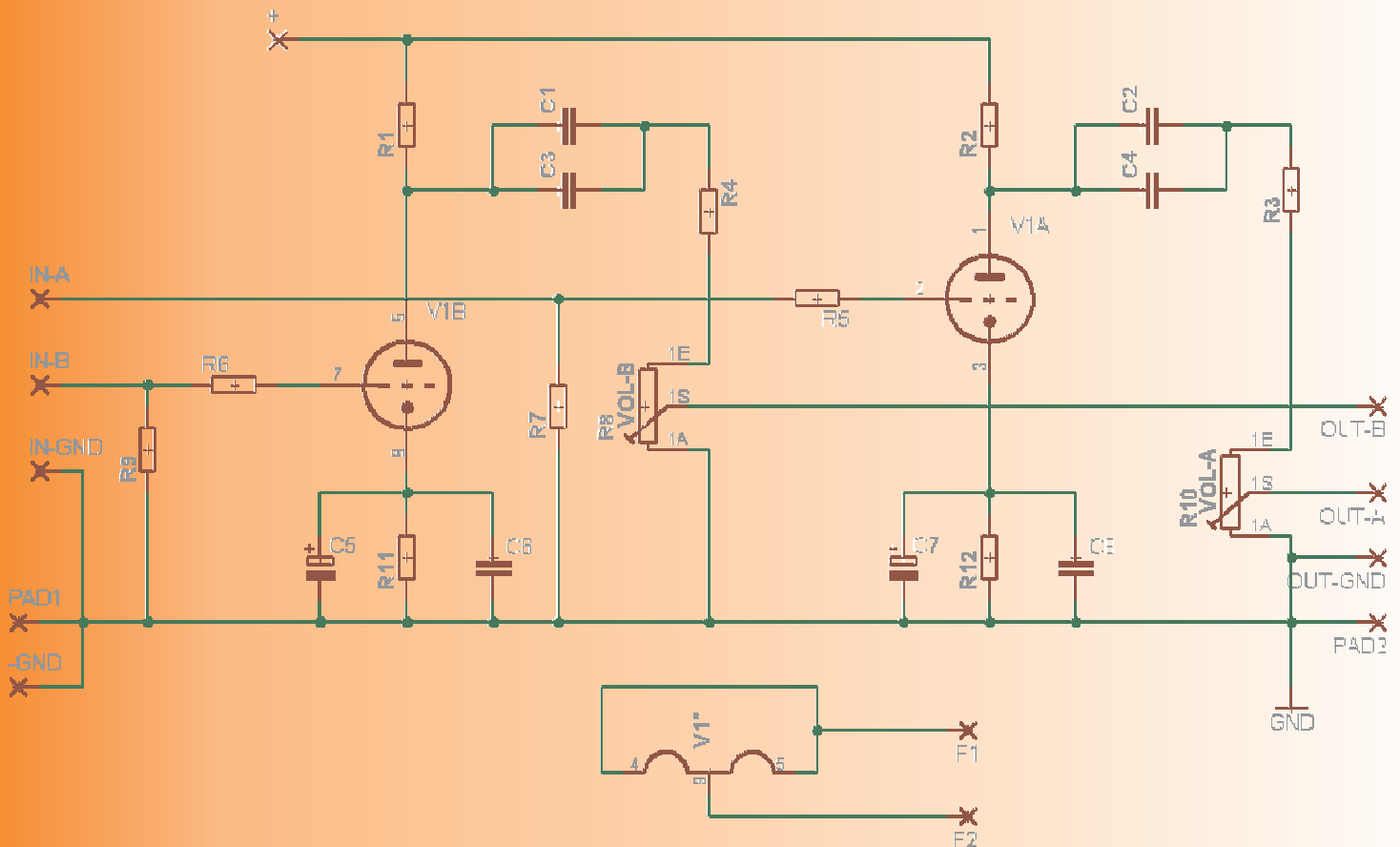
**PRE-ST** Atarado board is prototyping board module for 9pin preamp tube like 12AX7 (ECC83), 7025 or similar double triode.

Suitable to build two single preamp stage with pots on output and for gain adjustment, which can easily be replaced with fixed resistors voltage divider, or dropped from layout.

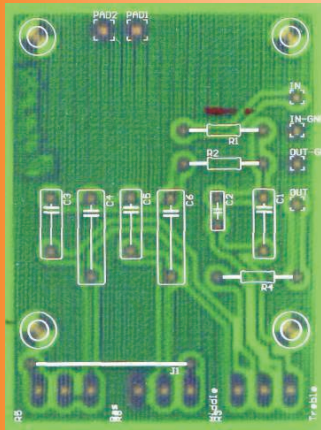
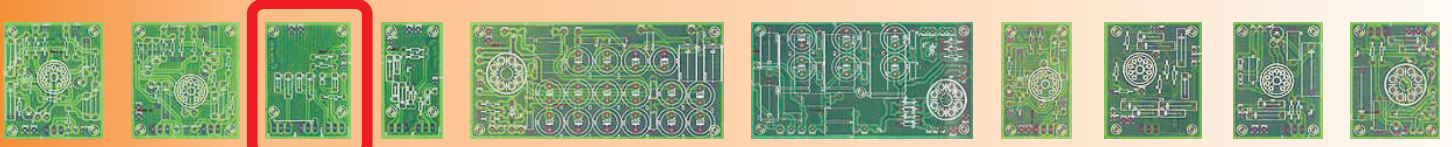


**TWO SINGLE STAGE PREAMPS AS SAMPLE**

## PRE-ST BOARD ELEMENTARY SCHEMATIC



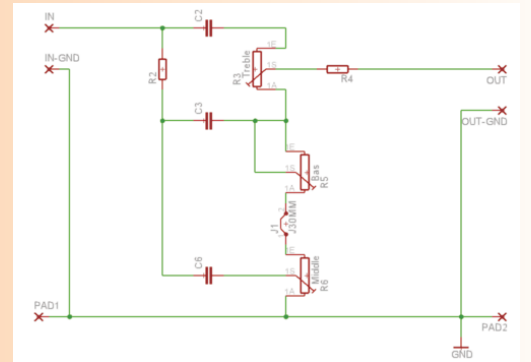
**DANGER! TUBE DEVICES RUN ON HIGH VOLTAGES WHICH CAN BE FATAL! ONLY FOR QUALIFIED PERSONS!**



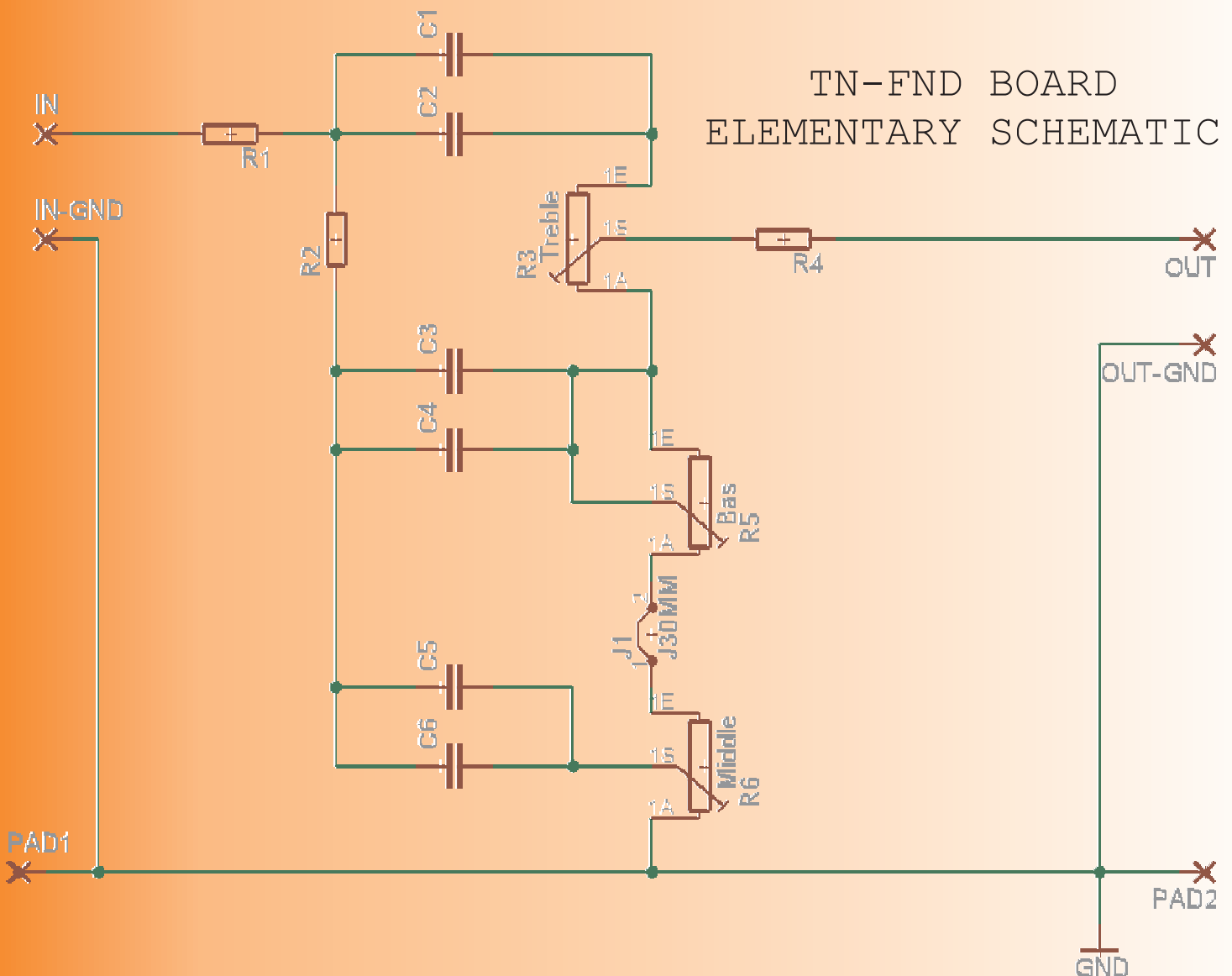
**TN-FND** Atarado board is prototyping board module for passive three band equalizer.

Suitable for three band equalizer based on the most common schematic used in guitar amplifiers.

R1 and R4 resistors are for attenuation, and could be jumpered depending of input and output signal.

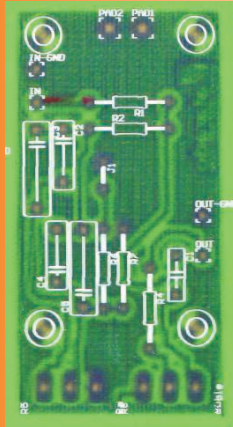
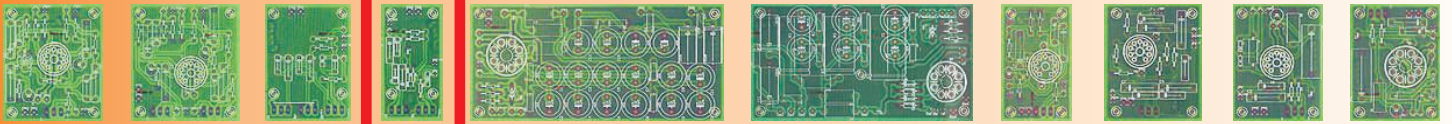


PASSIVE THREE BAND EQ AS SAMPLE



TN-FND BOARD  
ELEMENTARY SCHEMATIC

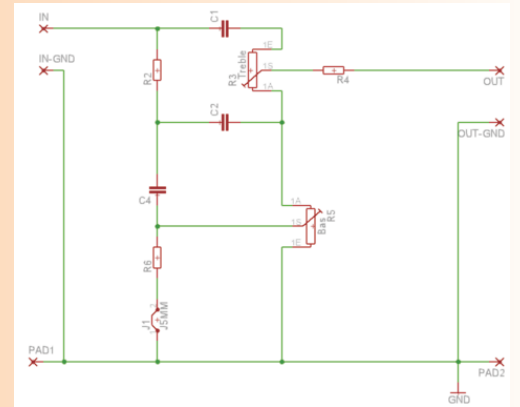
**DANGER! TUBE DEVICES RUN ON HIGH VOLTAGES WHICH CAN BE FATAL! ONLY FOR QUALIFIED PERSONS!**



**TN-VX** Atarado board is prototyping board module for passive two band equalizer.

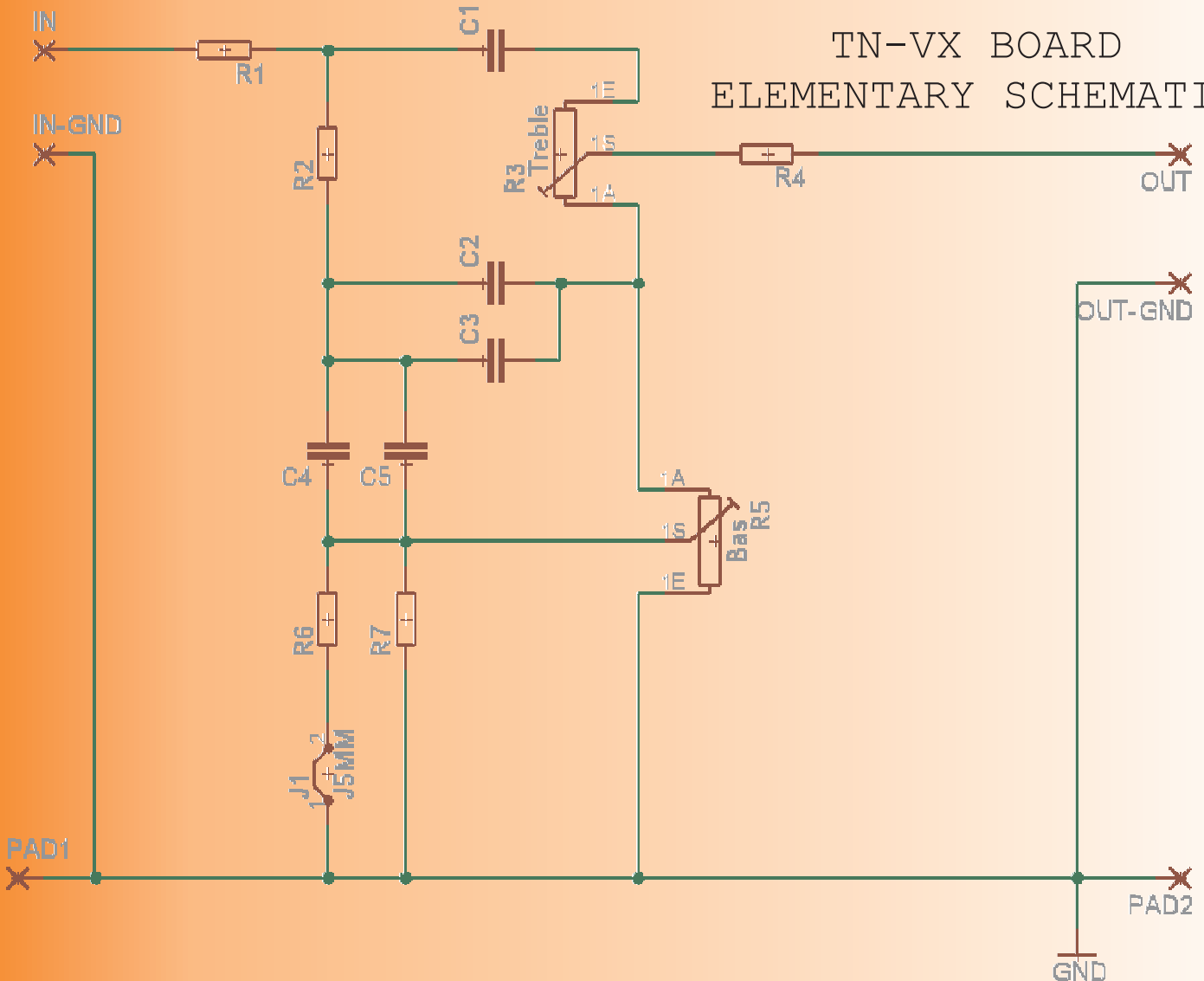
Suitable for two band equalizer based on the most common two band filter used in guitar amplifiers.

R1 and R4 resistors are for attenuation, and could be jumpered depending of input and output signal.  
J1 could be closed or open for gain boosting, and skipping the EQ.

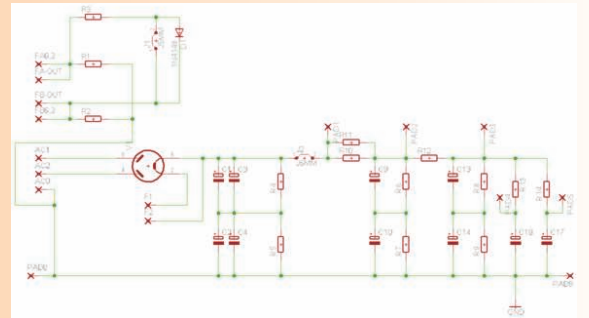
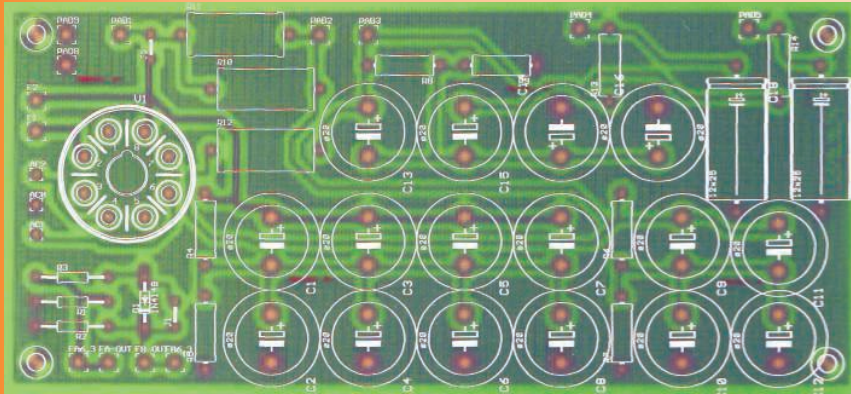
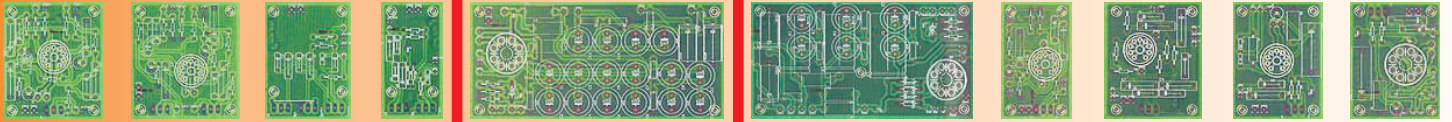


PASSIVE TWO BAND EQ AS SAMPLE

## TN-VX BOARD ELEMENTARY SCHEMATIC



**DANGER! TUBE DEVICES RUN ON HIGH VOLTAGES WHICH CAN BE FATAL! ONLY FOR QUALIFIED PERSONS!**



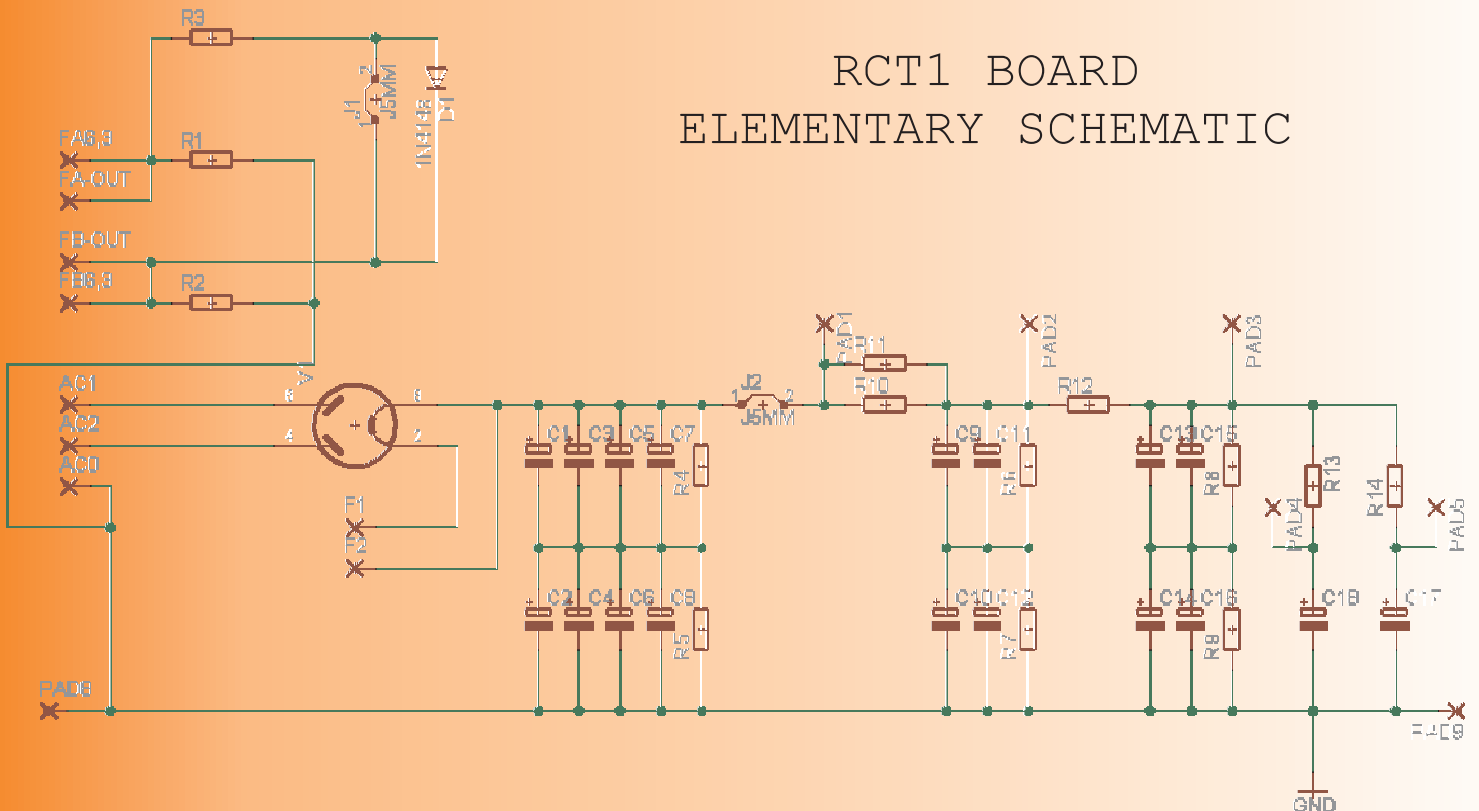
TUBE RECTIFIER AS SAMPLE

**RCT1** Atarado board is prototyping board module for rectifying and filtering circuit.

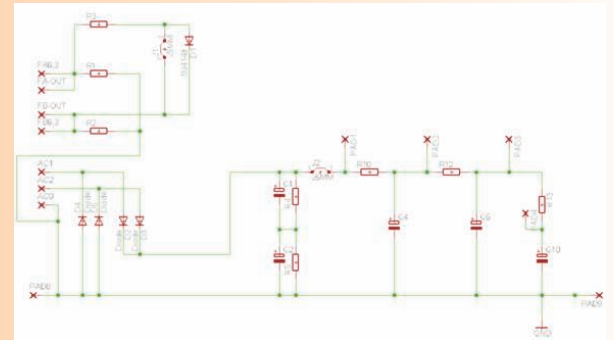
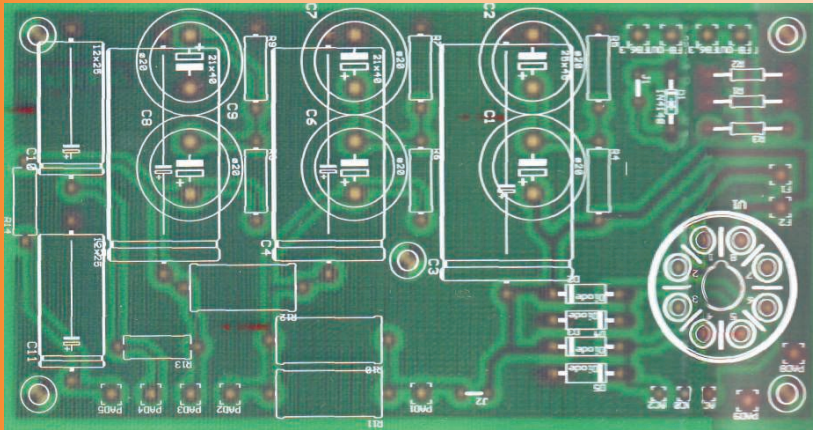
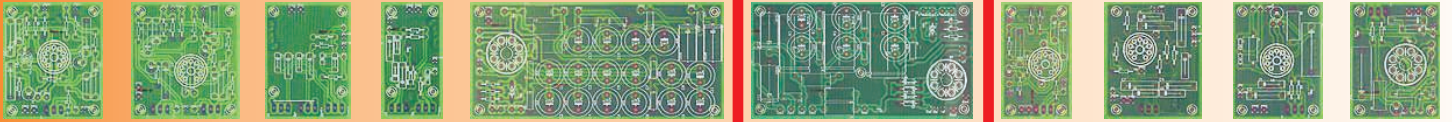
Suitable to place elements for rectifying AC voltage with octal diode tube or silicon diodes instead of them (positioned on the socket area). There is enough room to place elements for high demand filtering, and for signal led (instead of jumper J1) which is fed from AC 6,3V for cathode heating.

By R1 and R2 (47 or 100ohms) join to ground-chasis, you may cancel hum which often appears from cathode heaters feeding.

## RCT1 BOARD ELEMENTARY SCHEMATIC



**DANGER! TUBE DEVICES RUN ON HIGH VOLTAGES WHICH CAN BE FATAL! ONLY FOR QUALIFIED PERSONS!**



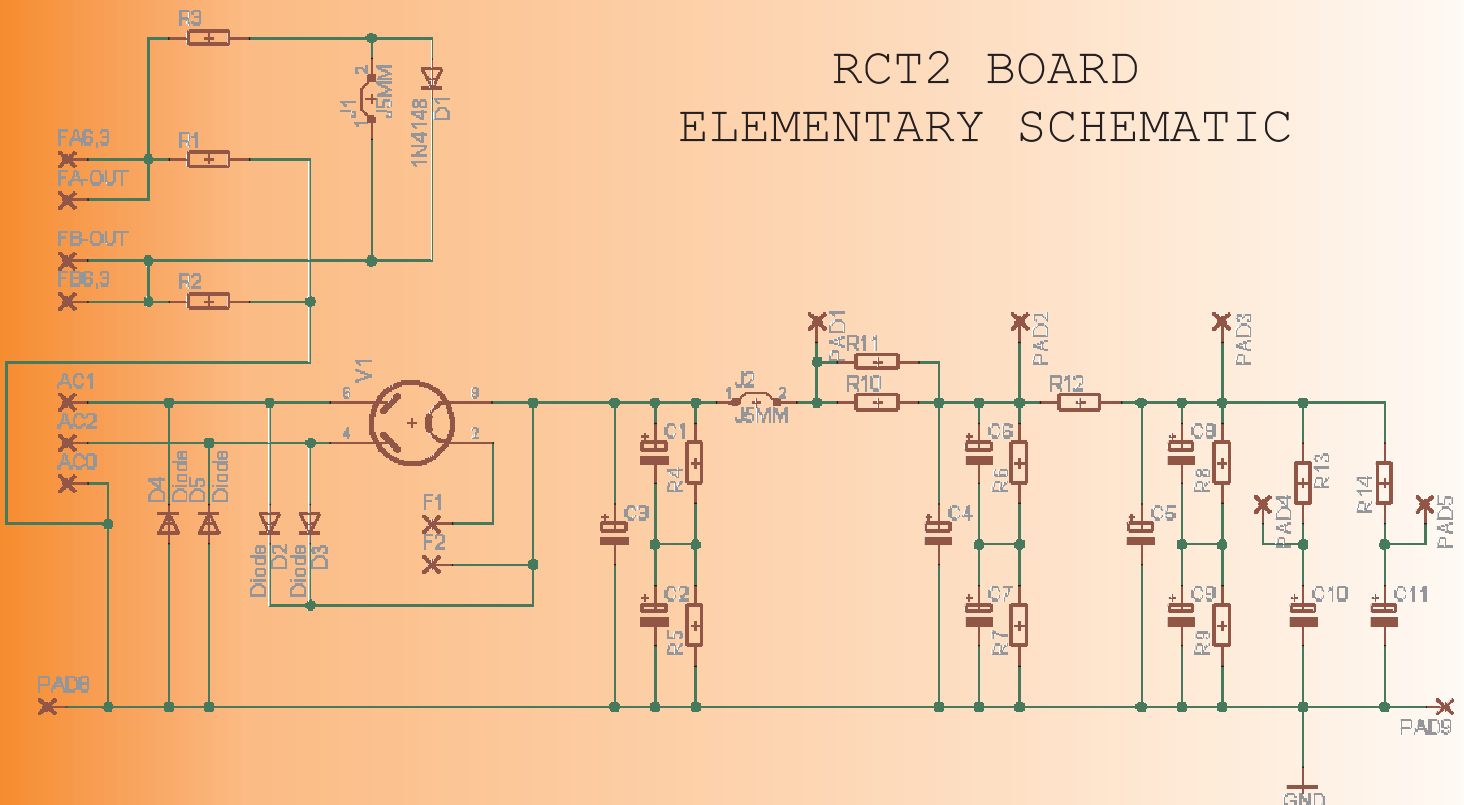
SILICON RECTIFIER FOR TUBES AS SAMPLE

**RCT2** Atarado board is prototyping board module for rectifying and filtering circuit.

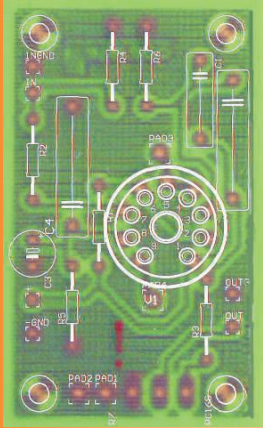
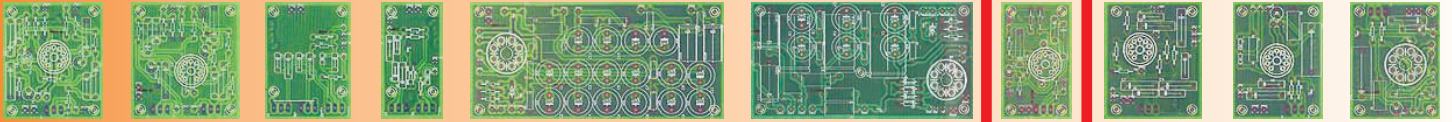
Suitable to place elements for rectifying AC voltage with diode tube or silicon diodes. It can be used as dual recto also. There is enough room to put elements for demand filtering, and for signal led (instead of jumper J1) which is fed from AC 6,3V for cathode heating.

By R1 and R2 (47 or 100ohms) join to ground-chassis, you can cancel hum which often appears from cathode heaters feeding.

## RCT2 BOARD ELEMENTARY SCHEMATIC

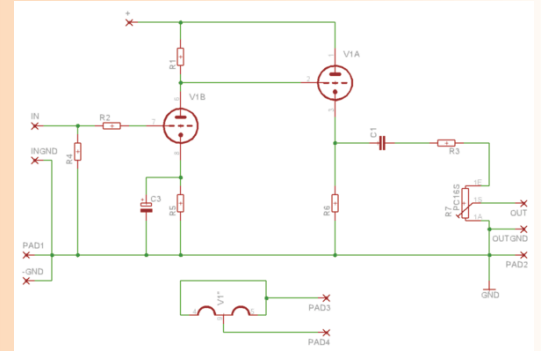


**DANGER! TUBE DEVICES RUN ON HIGH VOLTAGES WHICH CAN BE FATAL! ONLY FOR QUALIFIED PERSONS!**



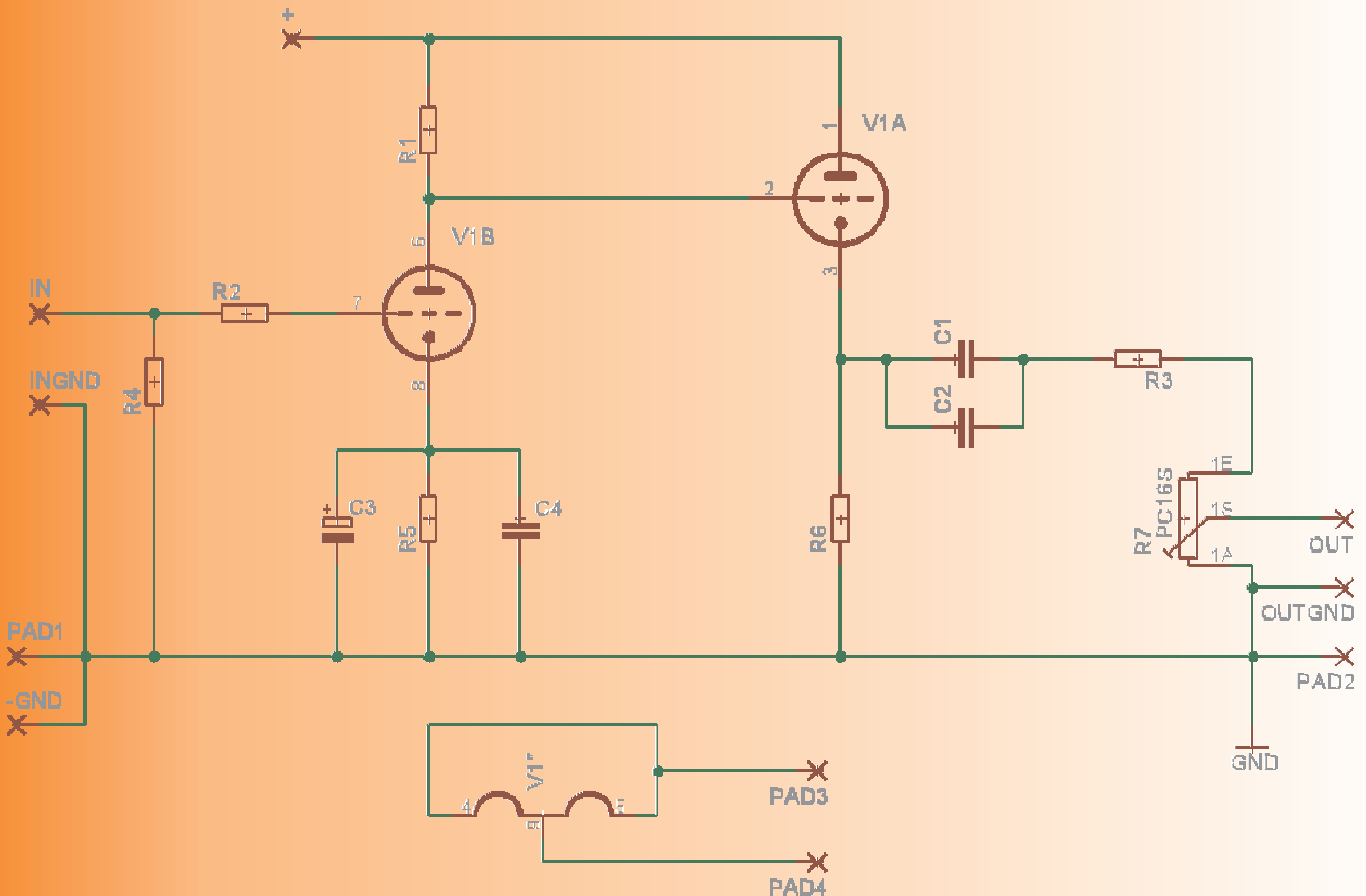
**CFL** Atarado board is prototyping board module for 9pin preamp tube like 12AX7 (ECC83) 12AU7 (ECC82) 6072 or similar double triode.

Suitable to build preamp stage with cathode follower. Pot on output for gain adjustment if needed, output resistor or jumper depending on signal attenuation.

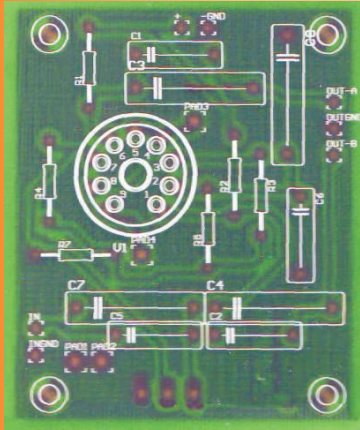
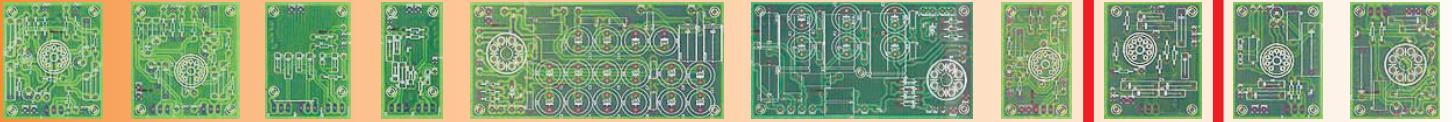


**CATHODE FOLLOWER AS SAMPLE**

## CFL BOARD ELEMENTARY SCHEMATIC



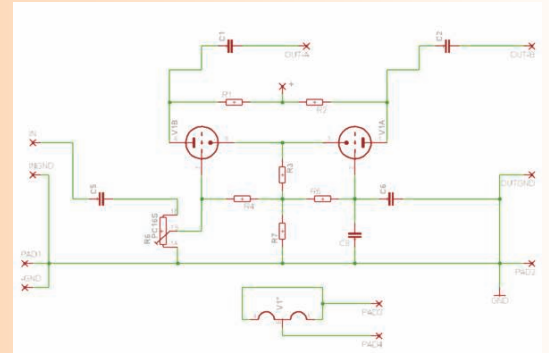
**DANGER! TUBE DEVICES RUN ON HIGH VOLTAGES WHICH CAN BE FATAL! ONLY FOR QUALIFIED PERSONS!**



**PHI** Atarado board is prototyping board module for 9pin tube like 12AX7 (ECC83) 12AU7 (ECC82) 6072 or similar double triode.

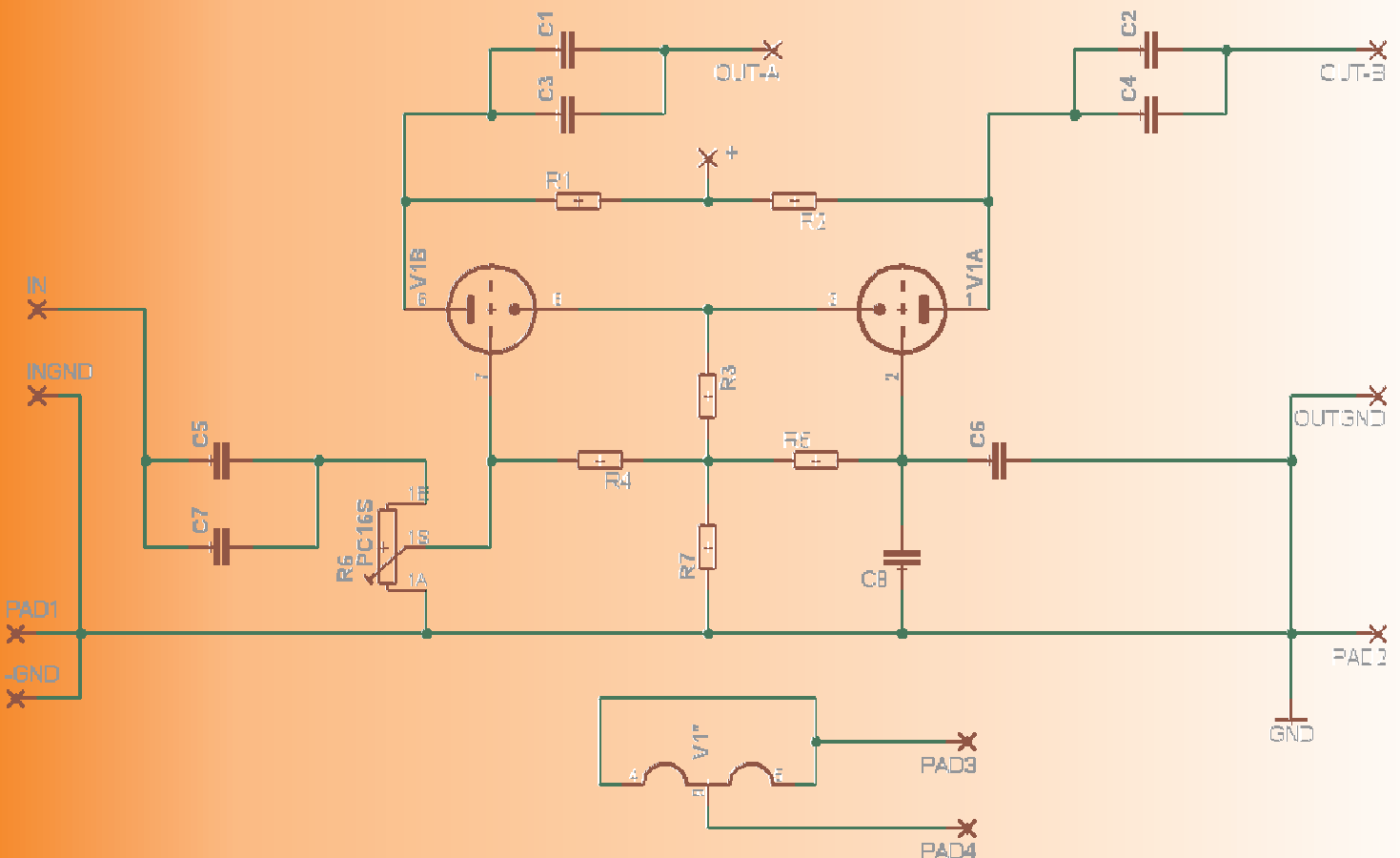
Suitable to build phase inverting stage with gain. It's also signal splitting functional stage.

Pot on input for gain adjustment if needed.



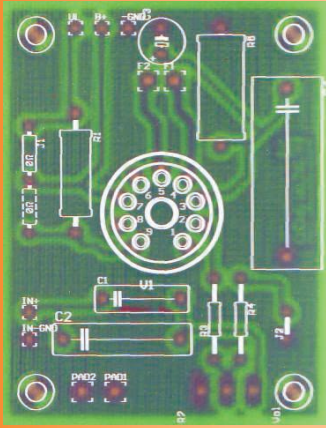
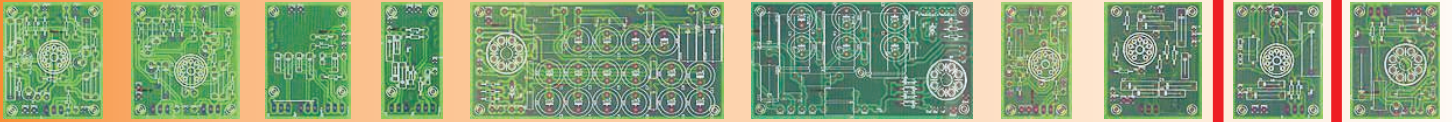
PHASE INVERTER AS SAMPLE

## PHI BOARD ELEMENTARY SCHEMATIC



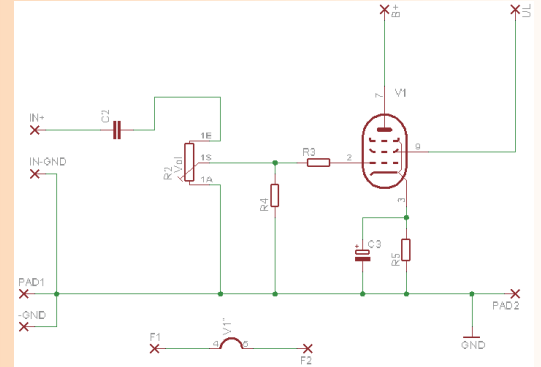
**DANGER! TUBE DEVICES RUN ON HIGH VOLTAGES WHICH CAN BE FATAL! ONLY FOR QUALIFIED PERSONS!**





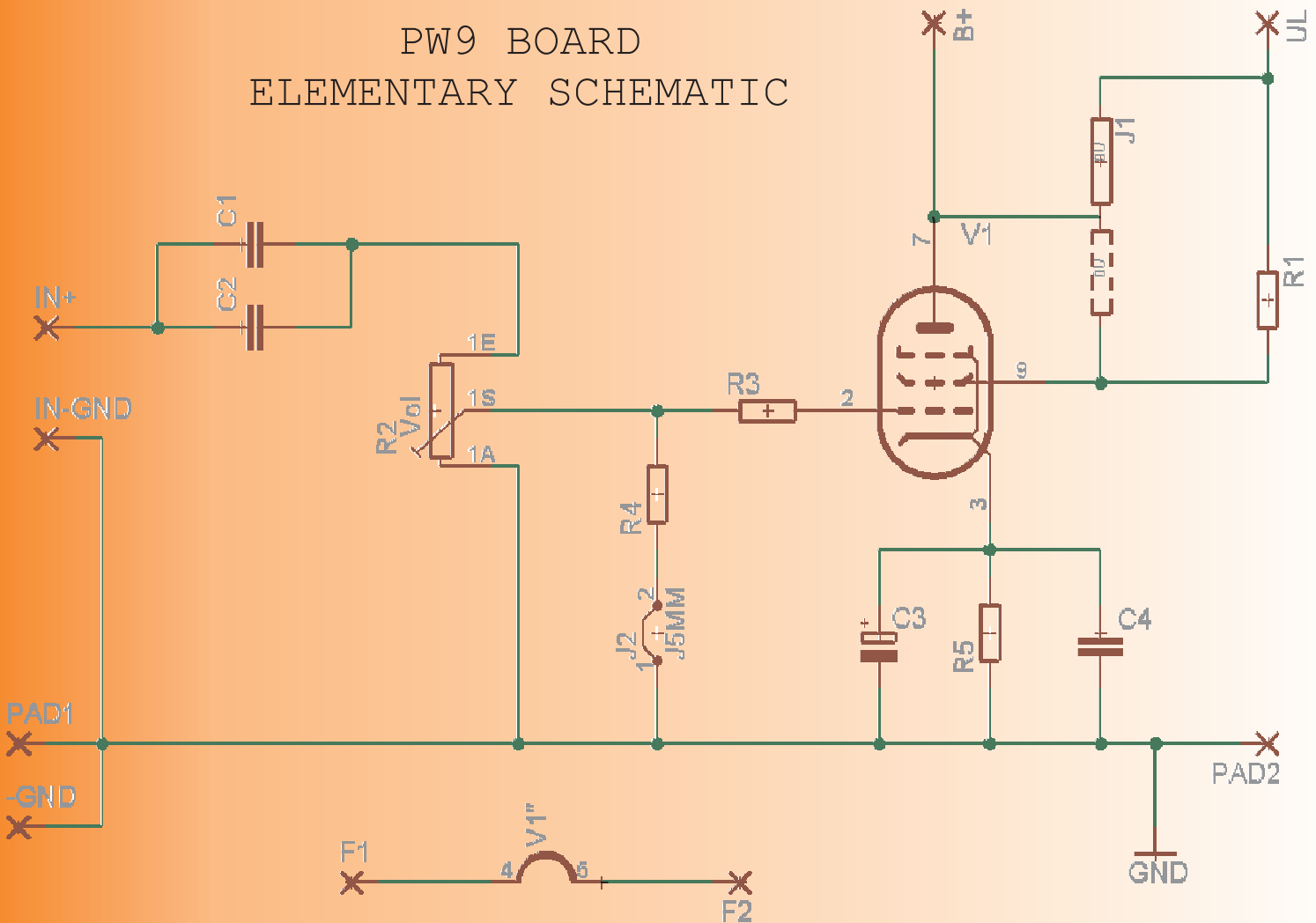
**PW9** Atarado board is prototyping board module for 9pin output tube. You have few choices to build output stage with that considering the type of stage, biasing, or output transformer...

- Push pull** - needs two boards
- Cathode bias** - with R5 resistor
- Fixed bias** - J2 on fixed biasing
- Ultralinear output** - without J1, jumpered R1...

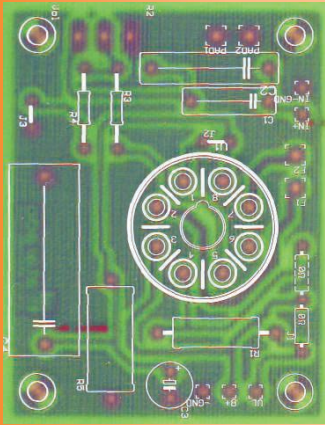
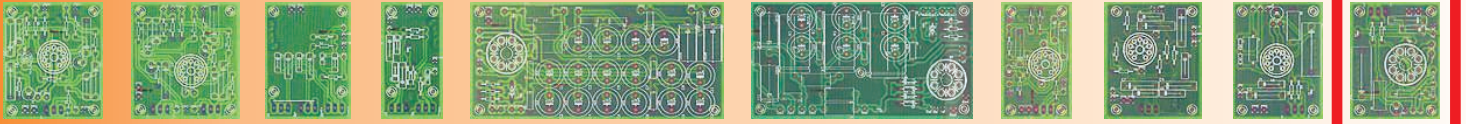


ULTRALINEAR, CHATODE BIAS OUTPUT AS SAMPLE

### PW9 BOARD ELEMENTARY SCHEMATIC

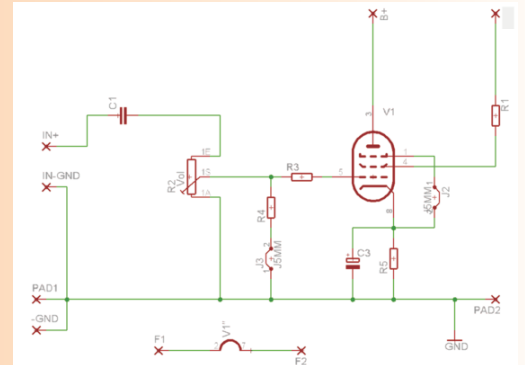


**DANGER! TUBE DEVICES RUN ON HIGH VOLTAGES WHICH CAN BE FATAL! ONLY FOR QUALIFIED PERSONS!**



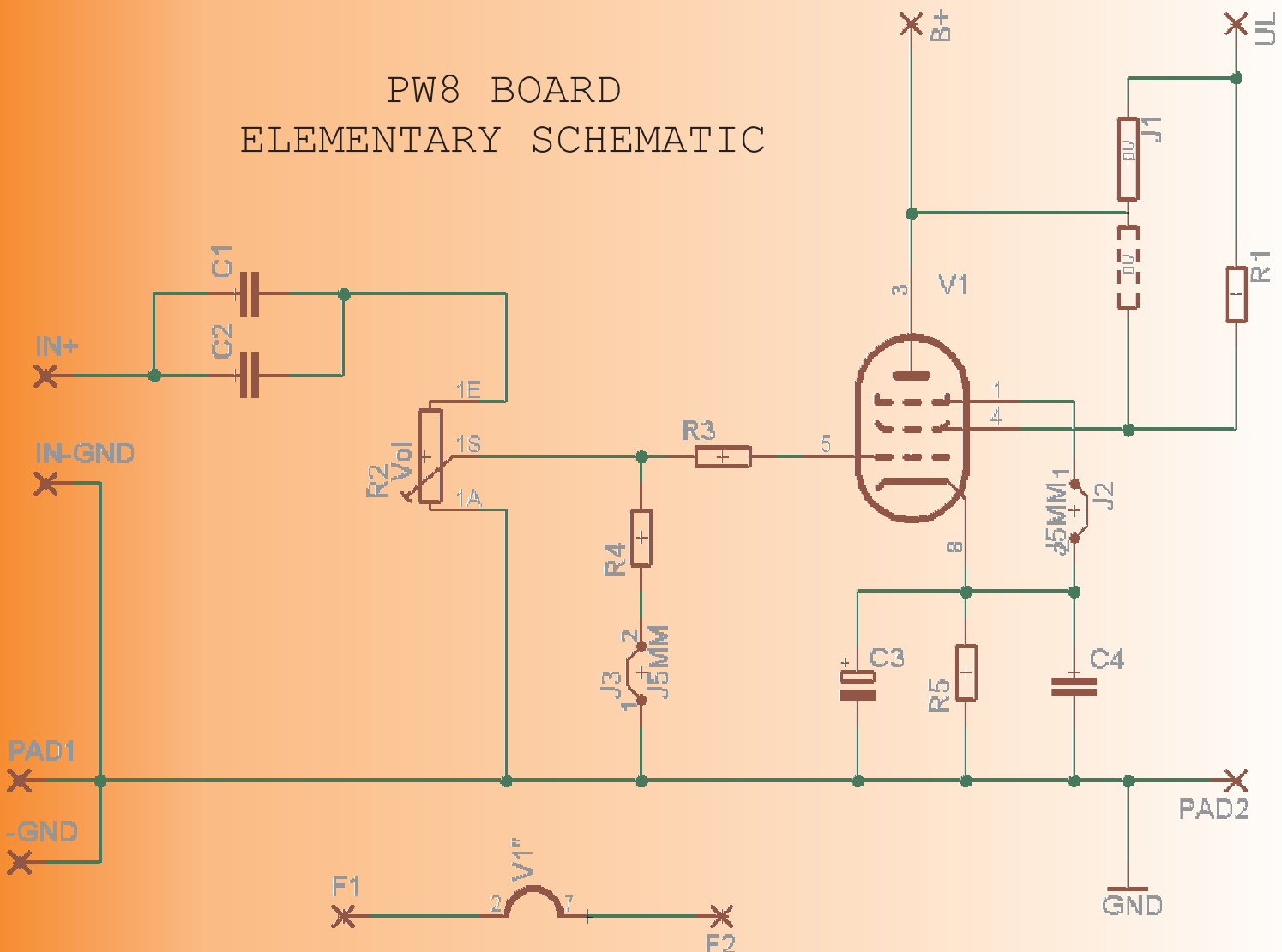
**PW8** Atarado board is prototyping board for 8pin output tube. You have few choices to build output stage with that considering the type of stage, biasing, or output transformer...

- Push pull** - needs two boards
- Cathode bias** - with R5 resistor
- Fixed bias** - J3 on fixed biasing
- Ultralinear output** - without J1, jumpered R1...



CHATODE BIAS OUTPUT AS SAMPLE

## PW8 BOARD ELEMENTARY SCHEMATIC



**DANGER! TUBE DEVICES RUN ON HIGH VOLTAGES WHICH CAN BE FATAL! ONLY FOR QUALIFIED PERSONS!**